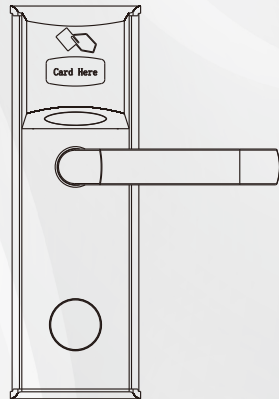


Installation Guide

Model: LH1000

Lock Body: American Standard Mortise with 5 Latches

Version: 1.0



Precautions

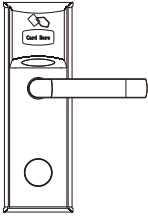
1. Please read this Installation Guide carefully or contact the Customer Care for any queries regarding installation.
2. Installation is recommended to be performed by a professional to avoid any additional service charges that may cause due to improper product installation.
3. A new lock is always in open mode until it is unlocked once by a RFID S50/S70 IC Card (13.56Mhz).
4. Please swipe the authorized Access Card, Time Sync Card and Room Card at the initial usage.
5. The lock is equipped with mechanical keys for manual unlocking. Remove the mechanical keys from the package and keep them safely.
6. This type of lock is suitable for a door thickness of 35 mm to 54 mm. If your door thickness is more than this range, please contact us for customization.
7. To power on the lock, four alkaline AA batteries (not included in package) are required. Non-alkaline and rechargeable batteries ARE NOT RECOMMENDED.
8. Do not remove the batteries when the lock is in working state.
9. When the battery power is low, the lock will beep to remind the user to replace the batteries. Please do not reverse the positive and negative terminals while replacing the batteries.
10. Avoid contact with corrosive substances, and do not hang any objects on the handle.
11. The software within the lock manages the working of RFID cards. For more details, refer the Software User Manual.

For further queries, please contact the seller.

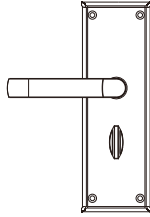
Table of Contents

What's in the Box.....	1
Installation Diagram.....	2
Installation Procedure.....	2
1. Door Opening Direction.....	2
2. Drill Holes on the Door.....	3
3. Install the Mortise.....	3
4. Install Outdoor Unit.....	4
5. Install Strike Plate and Box.....	6
6. Test the Lock by Mechanical Key.....	6

What's in the Box



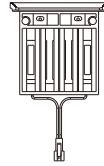
Outdoor Unit



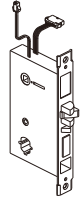
Indoor Unit



Cylinder



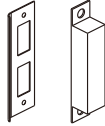
Battery Box



Mortise



Spindle B



Strike Plate and Box



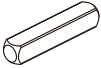
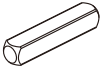
Keys



Vacuum Sucker



Hex Wrench



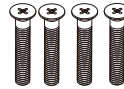
Spindle A



Screw A



Screw B



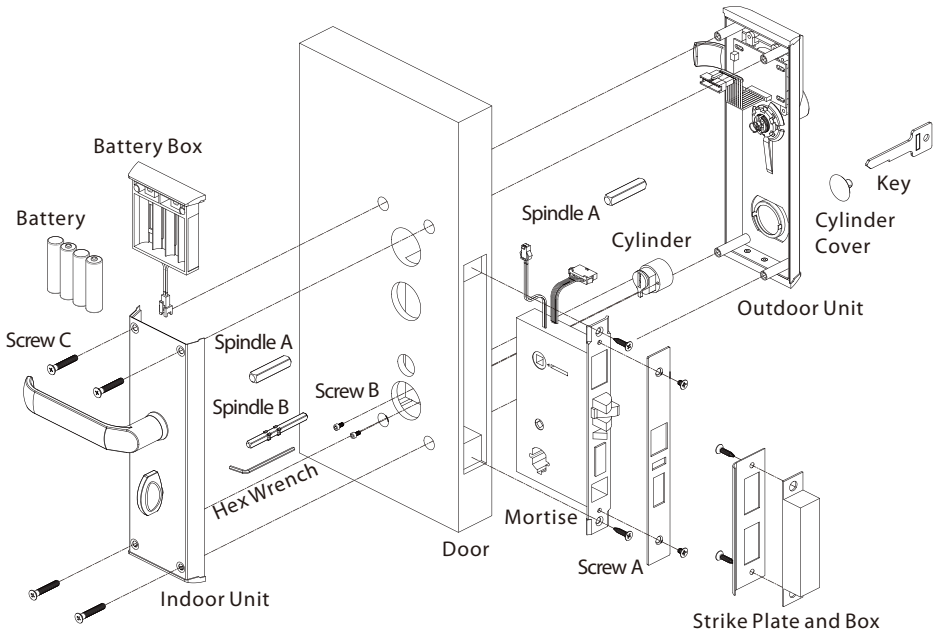
Screw C



Screw D

Door Thickness	Spindle A	Screw C	Spindle B
35 mm to 54 mm	40 mm	55 mm	75 mm

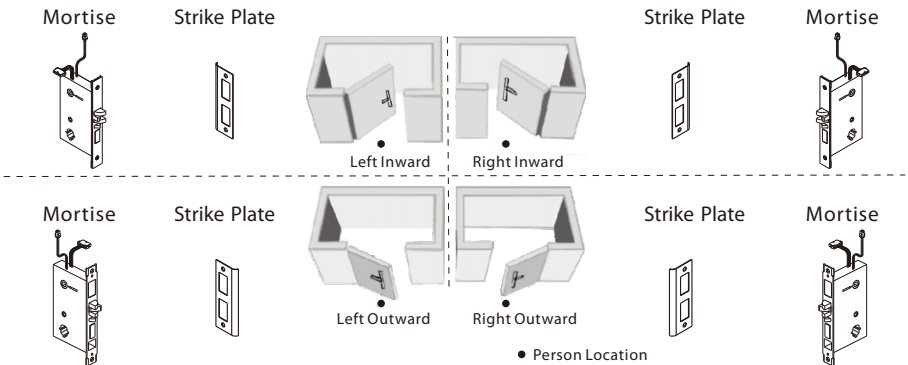
Installation Diagram



Installation Procedure

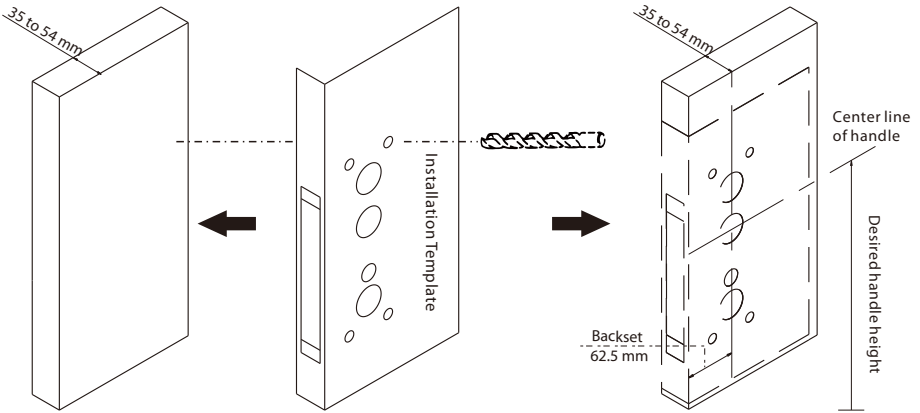
1 Door Opening Direction

The handle position is determined by the swing (opening) direction of the door. Below is the graphical representation of handle in reference to your location outside the room.



2 Drill Holes on the Door

- 1) Place the Installation template on the door at the desired handle height.
- 2) Mark the holes to be drilled and drill the marked places.

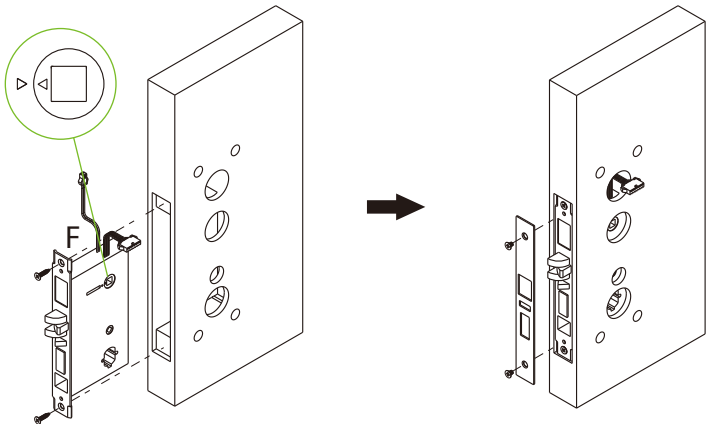


3 Install the Mortise

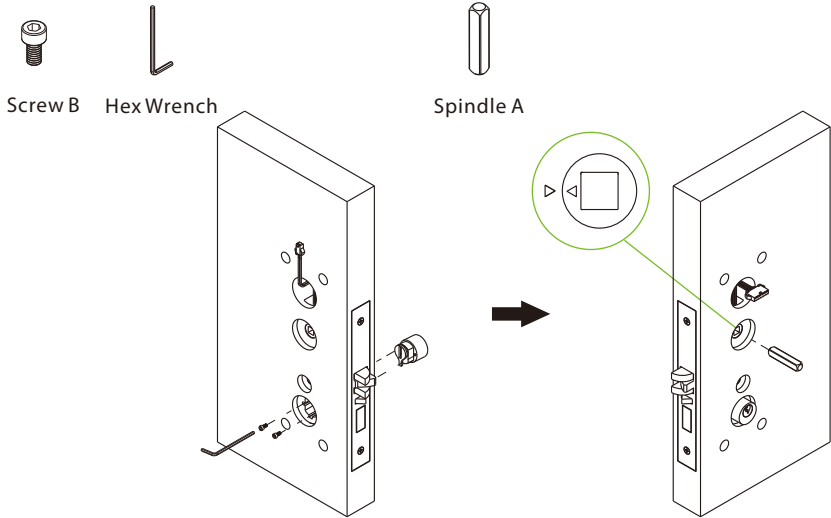
- 1) Keep the two triangles on the clutch facing each other and then secure the mortise with screw A.
- 2) Secure the lock plate with the screw. Make sure the Mainboard cable is towards outdoor unit, and the power cable is towards indoor unit.



Screw A

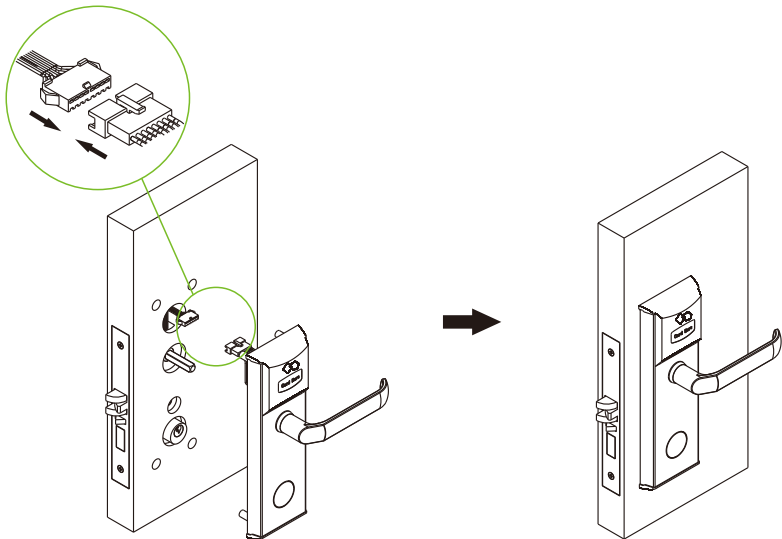


- Secure the cylinder with screw B by hex wrench. Make sure the cylinder is facing towards the outdoor unit.
- Insert the spindle A into the clutch facing towards outdoor unit and make sure the two triangles are horizontal and facing each other.

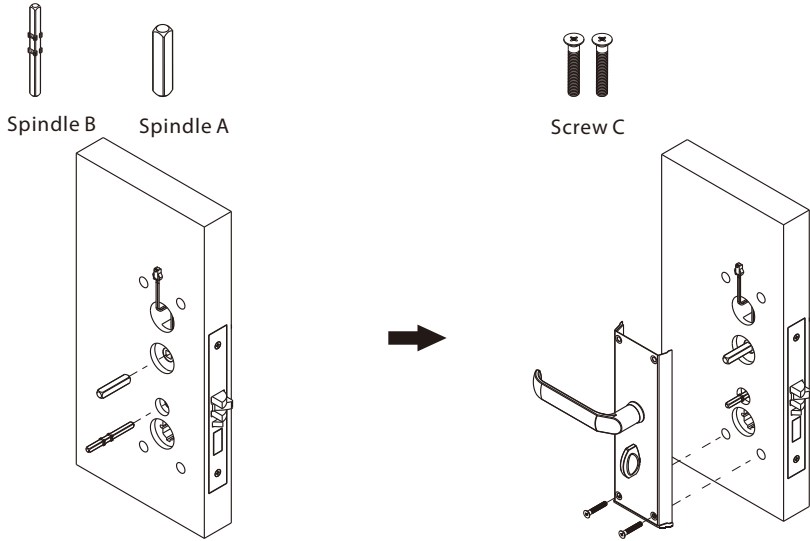


4 Install Outdoor Unit

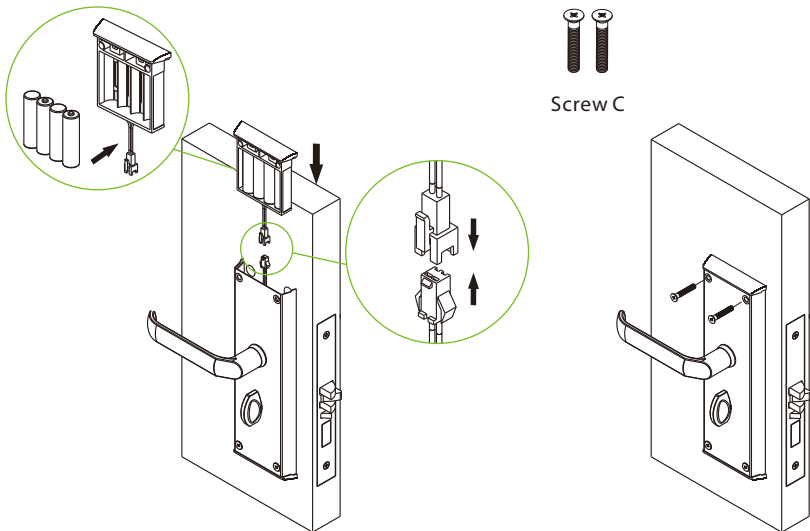
- Attach the outdoor unit to the door by inserting the cable through the drilled holes.



- 2) Insert the rest spindles into the mortise forward indoor unit.
- 3) Secure the lower section of the outdoor unit with screw C.

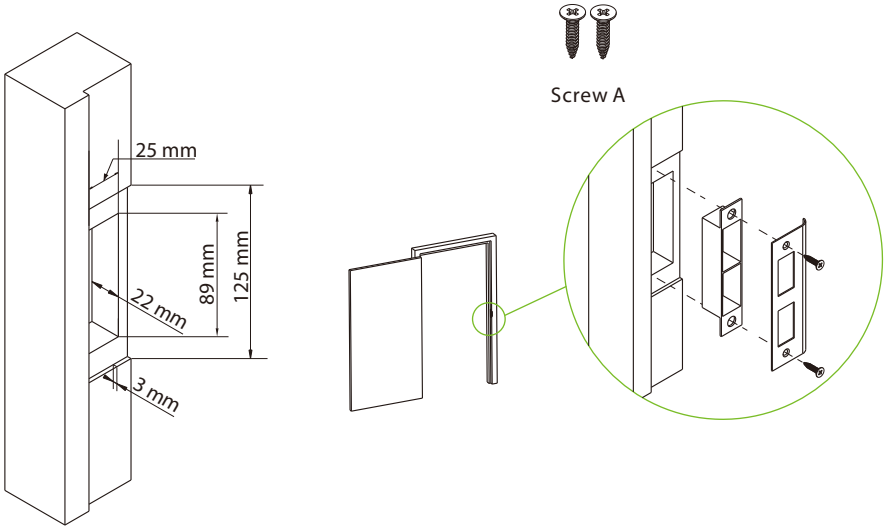


- 4) Connect the battery box cable and insert four Alkaline AA batteries. Then, insert the battery box into the indoor unit.
- 5) Secure the battery box and indoor unit with screw C.



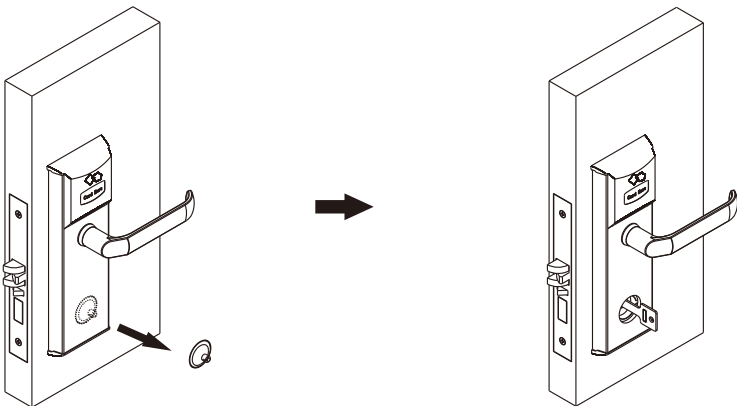
5 Install Strike Plate and Box

- 1) Make sure that the strike box is aligned with the latch bolt. Then, use the Installation template to drill holes.
- 2) Align the strike plate and box with the drilled holes and secure them with screw A.



6 Test the Lock by Mechanical Key

- 1) Remove the cover on the key hole by the sucker provided.
- 2) Insert the key into the cylinder and rotate 90°. If the latch opens and beeps, it means the lock is working normally.





Warning:

This device complies with Part 15 of the FCC Rules. Operation is subject to the following two conditions: (1) This device may not cause harmful interference, and (2) This device must accept any interference received, including interference that may cause undesired operation.

This equipment has been tested and found to comply with the limits for a Class B digital device, pursuant to Part 15 of the FCC Rules. These limits are designed to provide reasonable protection against harmful interference in a residential installation. This equipment generates, uses, and can radiate radio frequency energy and, if not installed and used in accordance with the instructions, may cause harmful interference to radio communications. However, there is no guarantee that interference will not occur in a particular installation. If this equipment does cause harmful interference to radio or television reception, which can be determined by turning the equipment off and on, the user is encouraged to try to correct the interference by one or more of the following measures:

- Reorient or relocate the receiving antenna.
- Increase the separation between the equipment and receiver.
- Connect the equipment into an outlet on a circuit different from that to which the receiver is connected.
- Consult the dealer or an experienced radio/TV technician for help.

FCC RF Radiation Exposure Statement:

- This Transmitter must not be co-located or operating in conjunction with any other antenna or transmitter.
- This equipment complies with RF radiation exposure limits set forth for an uncontrolled environment.

IMPORTANT! Any changes or modifications not expressly approved by the party responsible for compliance could void the user's authority to operate the equipment.

ZKTeco Industrial Park, No. 32, Industrial Road,
Tangxia Town, Dongguan, China.

Phone : +86 769 - 82109991

Fax : +86 755 - 89602394

www.zkteco.com

